

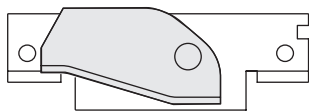
# User manual

## Fireproof filing cabinet

Each drawer in this filing cabinet can be either locked independently or by central locking, controlled by the top drawer. If using the central locking feature, keep in mind that the top drawer needs to be slightly open to access the remaining drawers.

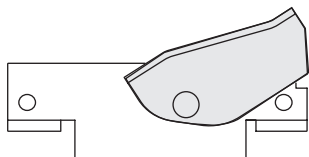
### MASTER DRAWER CAM (CENTRAL LOCKING)

#### Enable central locking



With cam in this position (on top drawer), the other drawers below can be locked - provided that the hooks on the other drawers are in the locked position.

#### Disable central locking

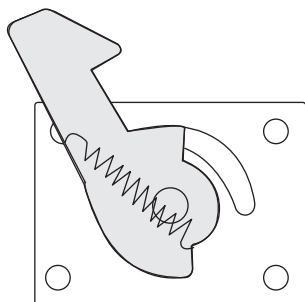


With cam in this position (on top drawer), the drawers below will not be locked by central locking regardless of the hook position they have.

---

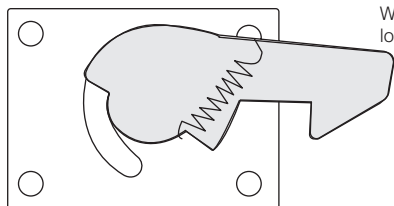
### SIDE CATCH OPERATION

#### No lock position



With the side catch in this position, the drawer will not be locked by central locking.

#### Lock position



With the side catch in this position, the drawer will be locked by central locking, if the top drawer have central locking enabled.