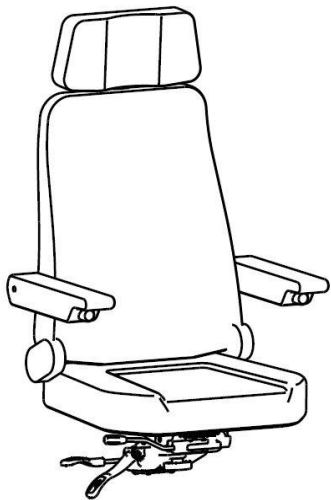


ergoseat

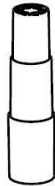
1x



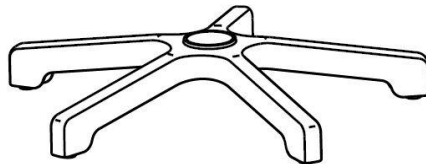
1x



1x



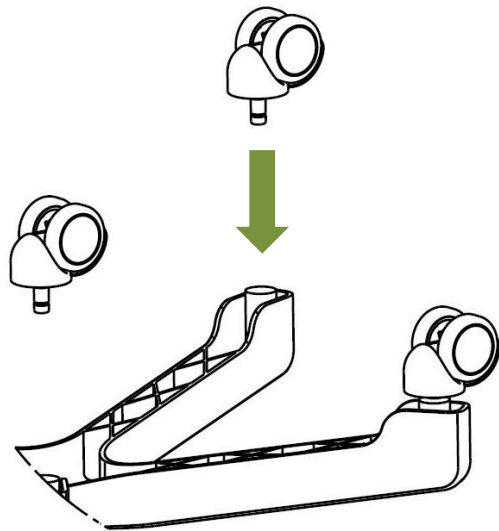
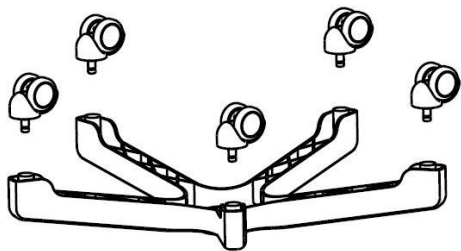
1x



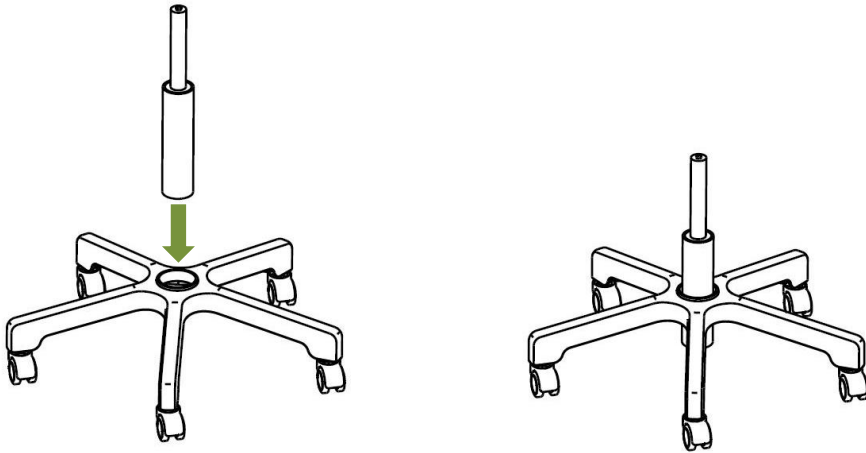
5x



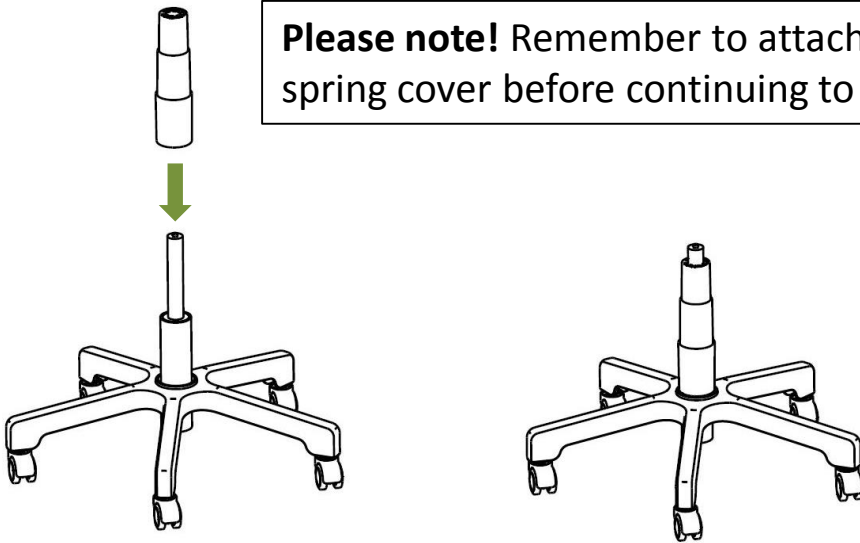
1.



2.

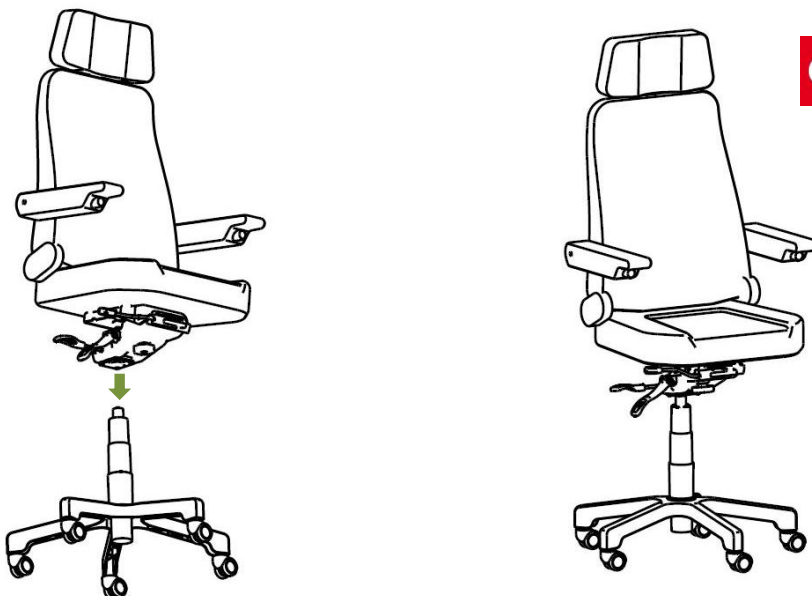


3.



Please note! Remember to attach the gas spring cover before continuing to step 4.

4.



ergoseat