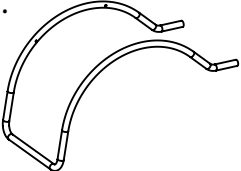
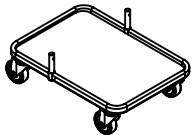
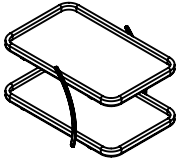
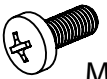



# KM96300

- |    |  |    |
|----|--|----|
| 1. |           | 1x |
| 2. |           | 1x |
| 3. |           | 1x |
| 4. | <br>M8x20 | 2x |
| 5. | <br>M5x16 | 4x |

