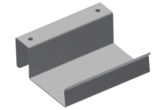
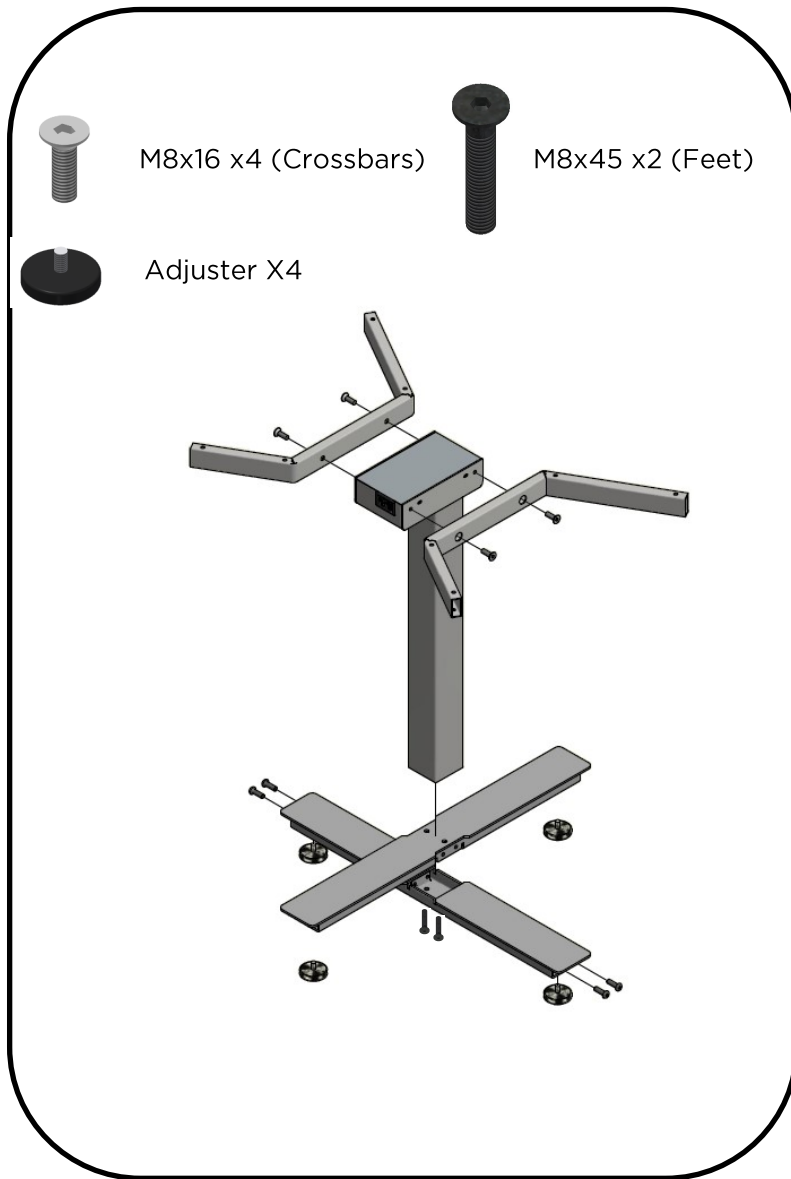


Assembly Instructions – Single column Cross-Foot



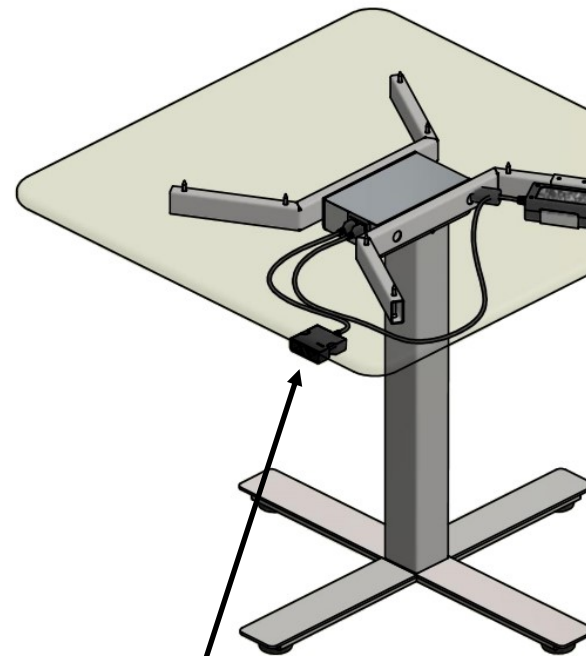
Power supply holder.

Hook the holder on the crossbar before fixing the Table Top



5,0x55 x8

Screws to fix the Table top



Connect the Powersupply to the Leg and use the holder to hold it in place

Screw the Handset to the table & connect to the leg

Plug the Cable in .

Ready to Use!